

Drying & curing rooms for cannabis

Hanging Model WCD 2H-OS/2H/4H/6H/8H/10H

GMP/EU-GMP standard compliance



A new standard in drying & curing cannabis

WCD drying rooms key features

- Excellent space utilization (7.5 lbs. wet flowers/sqft)
- Reduces flowers waste by an order of magnitude
- Real moisture removal by a highly efficient condensing system (cooling liquid at 30°F)
- Heat-recovery chiller system
- Electronic weighing rack for real-time monitoring of flowers' water content
- GMP/EU-GMP compliance
- Cold plasma air sterilization to avoid viruses, bacteria, molds and yeast
- Perfect air distribution due to controlled laminar air-flow
- Short drying cycle: 5-8 days
- Drying uniformity throughout the room = maximum efficiency & revenue
- Customizable drying protocols for repetitive and accurate drying cycles
- 6 standard room sizes (custom is optional)
- Uniform and precise conditions, quick drying while maintaining the active ingredients, high income, consistency



Play Video



Drying & curing rooms for cannabis

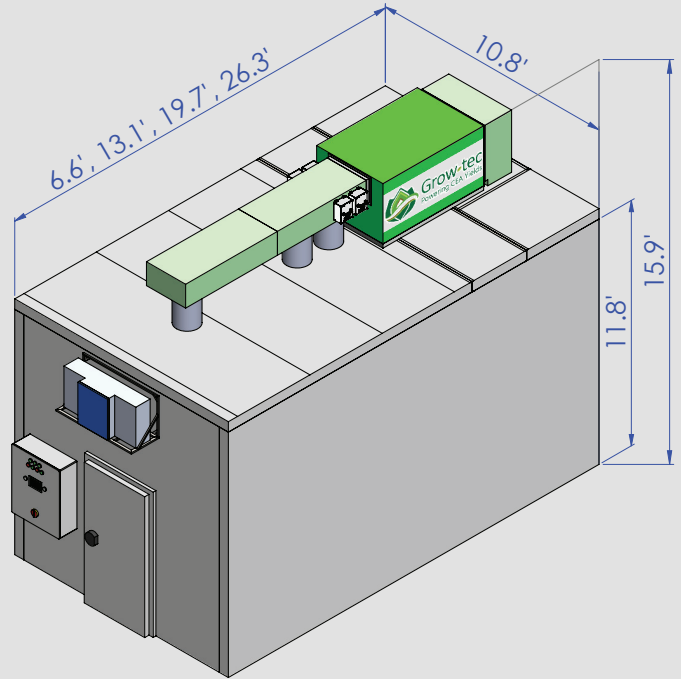
Hanging Model WCD 2H-OS/2H/4H/6H/8H/10H

GMP/EU-GMP standard compliance

WCD Drying rooms - Hanging System



WCD Drying rooms general dimensions



	WCD2T-OS	WCD-2H	WCD-4H	WCD-6H	WCD-8H	WCD-10H
Room capacity wet lb.	257	514	1,027	1,540	2,057	2,568
Metric kg	117	233	466	700	933	1,165
Inner room dimensions LxWxH ft	6.6'x10.8x11.8'	6.6'x10.8x11.8'	13.1'x10.8x11.8'	19.7'x10.8x11.8'	26.3'x10.8x11.8'	32.8'x10.8x11.8'
Metric m	2x3.3x3.6	2x3.3x3.6	4x3.3x3.6	6x3.3x3.6	8x3.3x3.6	10x3.3x3.6
Room internal footprint sqft	71	71	141	215	284	354
m²	6.6	6.6	13.2	19.8	26.4	33.0
Water removal rate (64°F/80% RH) lbs./hr	10	10	30	30	40	60
Metric kg/hr	4.5	4.5	13.5	13.5	18.0	27.0
Room temperatures range °F	59-77	59-77	59-77	59-77	59-77	59-77
°C	15-25	15-25	15-25	15-25	15-25	15-25
Number of racks in the room	3	6	12	18	24	30
Electricity input power	208-480V50/60 Hz					

* Custom dimensions is optional